

Leister MISTRAL □ Hot-Air Blower



Please read the operating instructions carefully before use and keep for future reference.

USAGE

The Leister hot-air blower MISTRAL is suitable to build into machines or tools. It is designed for continuous operation. The tool offers process safety as a result of the integrated protective elements.

- Industrial jointing technology by means of hot air staking
- Different types of drying and warming up processes
- Shrinking and welding of packaging foils and moulds
- Activating and releasing of solvent free glues and fusion adhesives
- Sterilisation of packaging materials such as small bottles, corks and containers
- Smoothing of tablet coatings, glazing of chocolate and cosmetic articles
- Separating and fusing of synthetic threads and fabrics
- Soldering processes on metal parts
- Removal of plastic burrs and glazing of plastic surfaces





WARNING



Danger to life when opening the tool, as live components and connections are exposed. Unplug the tool before opening it.



Incorrect use of hot air blowers can cause **fire and explosion hazard**, especially near combustible materials and explosive gases.



Do not touch the element housing and nozzle as long as they are hot since they can cause **burns**. Let the tool cool down. Do not point hot air flow in the direction of people or animals.



CAUTION



The voltage rating stated on the tool must correspond to the line/mains voltage.



The tool must be operated **with supervision**. Warmth can reach combustible materials, which are out of sight.



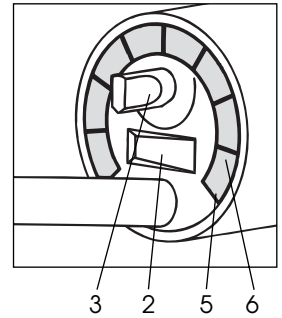
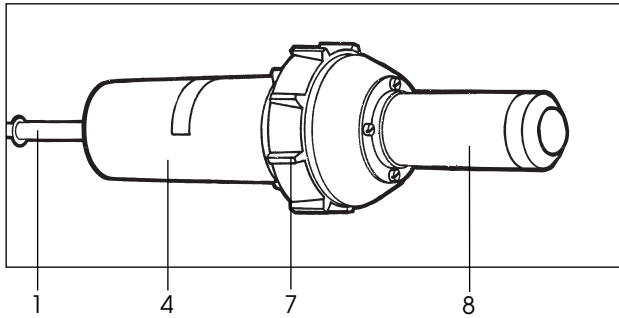
Protect the tool from **dampness and wet**.

TECHNICAL DATA

Voltage	V~	120, 200, 230, 230 for 50/60 Hz
Power consumption	W	2700, 3000, 2300, 3400
Temperature	°C	20 – 650, steplessly adjustable
Air flow	l/min.	max. 350, manual air slide
Air pressure	Pa	2500
Emission level	LpA (dB)	65
Weight	kg	1.5 with 3m power supply cord
Size (L x Ø)	mm	320 x 64
Mark of conformity	CE	
Mark of approval	Ⓢ	
Certification scheme	CCA	
Protection class II	□	

Line/mains voltage cannot be switched over

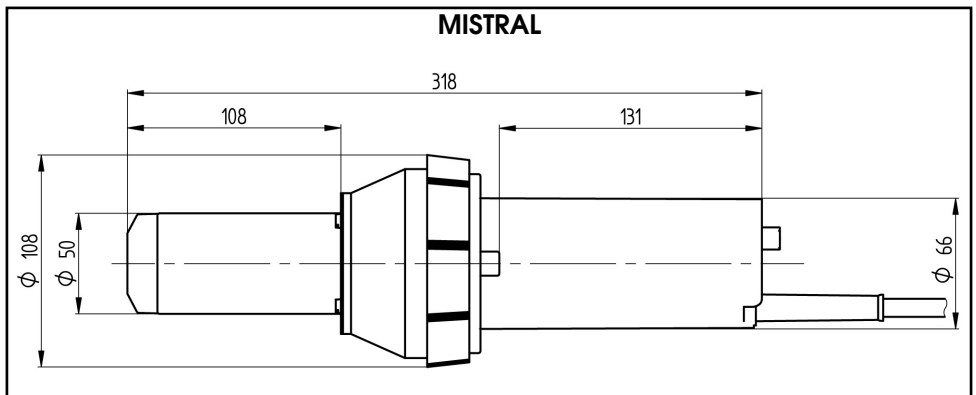
Description of tool



- | | |
|---|-----------------|
| 1. Power supply cord | 5. Air slide |
| 2. On/off switch | 6. Air filter |
| 3. Potentiometer for temperature adjustment | 7. Rubber stand |
| 4. Handle | 8. Heater tube |

Assembling

- Assembly must ensure that:
 - only cold air is supplied
 - no (hot air) backup occurs
 - the tool is not subjected to a hot air flow from another tool
- The tool is protected against mechanical vibration and shaking
- Assembly dimensions in mm



Operating

- Equipment must be installed by a specialist.
- As required, push-fit appropriate nozzle or reflector.
- Reduce air flow as required by use of the **air slide (5)**.
- Adjust hot-air temperature by use of the **potentiometer (3)**.
- **Switch on (2)** and allow to warm up for about 5 min.
- Cool down the tool after use.

Change of nozzles / reflectors

- Before changing nozzles/reflectors, allow the tool to cool down, or use only combination pliers.
- Do not touch hot nozzle / reflector and make sure to put it only on a heat resistant surface, because of the **fire hazard**.
- The nozzles / reflectors are easily pushed onto the conical **heater tube (8)** and are then secured by fastening the screw on the clamp.
- Only Leister nozzles / reflectors should be used.

TRAINING

Leister Process Technologies and its authorised Service Centres offer free of charge courses in the range of applications on page 1.

ACCESSORIES

- Use Leister accessories only.

MAINTENANCE

- The hot-air blower's **air filter (6)** should be cleaned with a brush if necessary.
- Check **power supply cord (1)** and plug for any possible electrical or mechanical damages.

SERVICE AND REPAIRS

- Repairs have to be carried out by authorised **Leister Service Centres** only. They guarantee a specialized and reliable **repair service within 24 hours** using original Leister spare parts.

GUARANTEE AND LIABILITY

- Guarantee and liability are in accordance with the guarantee certificate as well as with the currently valid general business and sales conditions.
- Leister Process Technologies rejects any guarantee claims for tools which are not in their original condition. The tools must never be altered or changed.

Technical data and specifications are subject to change without prior notice.

Your authorised Service Centre is:

