

LEISTER ROBUST High Pressure Blower



Please read operating instructions carefully before use and keep for further reference.

APPLICATION

- The LEISTER Blower Robust is suitable for building into machines, installations and appliances and is designed for continuous operation.
- It is suitable for delivering air, non combustible, non corrosive and non explosive gases.
- **Air supply for LEISTER Hot Air tools**, for intake air supply and for cooling.
- **Ventilation** of tanks, aquariums and different applications for textile machines.
- **Drawing off** of welding gases and fumes.
- **Transfer** of granular and loose materials.
- **Vacuuming** screen printing machines and air tables.





WARNING



Danger! When opening up the tool live connections are exposed. Therefore, before opening it, disconnect all poles from the mains.



CAUTION



The **voltage rating** stated on the tool should correspond to the mains voltage.



The tool must be grounded with the **protective conductor**.



Use **thermal overload protection switch**.



Pay attention to the **direction of rotation**.



Protect tool from **damp and wet**.

TECHNICAL DATA

Design

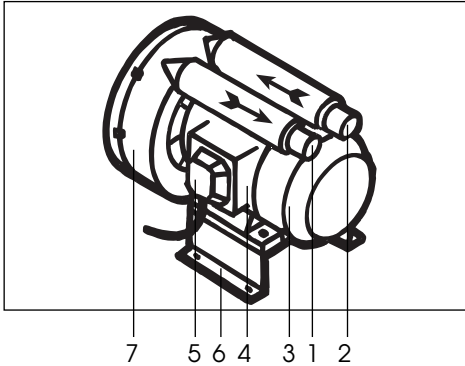
Voltage for three-phase supply	V~
Voltage for single phase supply	V~
Condensor for single phase	mF
Capacity	W
Frequency	Hz
Air flow	l/min.
Static pressure	Pa
Noise level	dB (A)
Environmental protection	DIN 40050
Diameter of air intake (internal Ø)	mm
Diameter of air outlet (internal Ø)	mm
Ambient temperature	°C
Weight	kg
Size (L x B x H)	mm

lateral channel compressor

3 x 230–254	3 x 380–440
1 x 230–254	
12	
250	
50 / 60	
1200 / 1300	
8000 / 10500	
62	
IP 54	
Ø 38	
Ø 38	
< 60	
8,0	
255 x 221 x 221	

100 Pa = 1 mbar

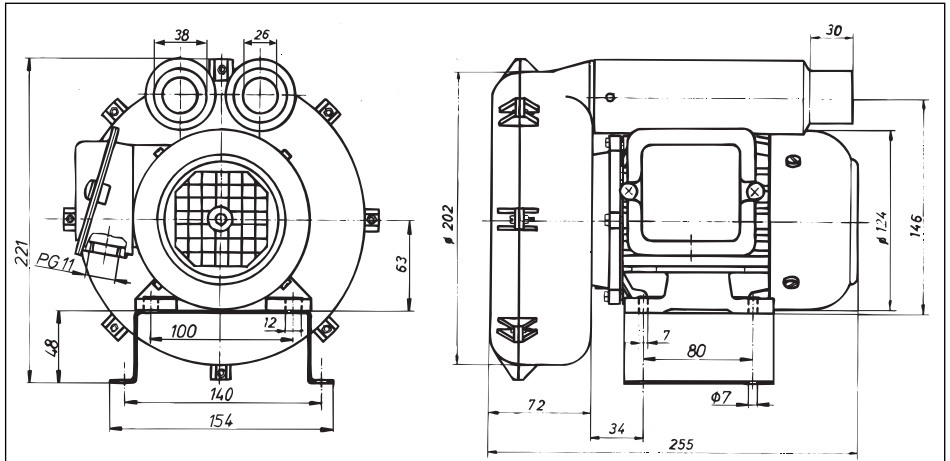
Description of tool



1. Air outlet $\varnothing 38$
2. Air intake $\varnothing 38$
3. Motor
4. Connection box
5. Connection box lid
6. Installation stand
7. Fan housing

Installation

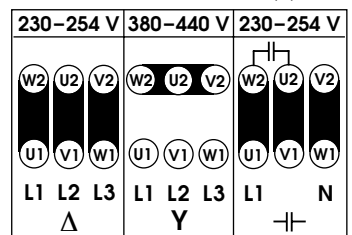
- The tool should be fixed by using four M6 screws on the **installation stand (6)**.
- Protect the tool from vibration and shock.
- The tool can be installed horizontally or vertically.
- Installation dimensions in mm



Operation

- The blower should only take in air at $< 60^{\circ}\text{C}$.
- For use in a dusty environment, a LEISTER stainless steel filter should be fitted onto the **blower air intake (2)**.
- The appropriate connections should be made in the **connection box (4)** depending on the voltage.
- The blower should be connected by an electric engineer. **Pay attention to the direction of rotation!**

Circuit diagram in connection box lid (5)



ACCESSORIES

- Only LEISTER accessories must be used.

SERVICE AND REPAIR

- Repairs should only be carried out by authorized **LEISTER Service Centres**. They guarantee a specialised and reliable **Repair Service within 24 hours** using original spare parts in accordance with the circuit diagram and spare parts list.

WARRANTY AND LIABILITY

- Guarantee and liability are in accordance with the guarantee certificate as well as with the currently valid general business and sales conditions.
- LEISTER Process Technologies rejects any guarantee claims for tools which are not in their original condition. The tools must never be altered or changed.

Technical data and specifications are subject to change without prior notice.

Your authorized Service Centre is: